

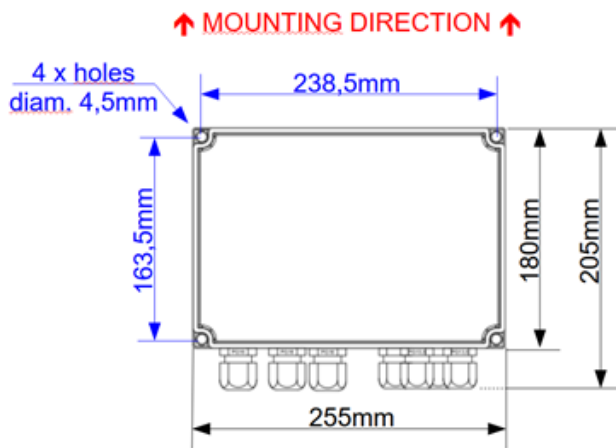
## SENA DMX G2 RDM SPLITTER 4CH BOX IP66

Pre-installed IP66 BOX for SENA DMX G2 SPLITTER

Art. No. 96222783

CE	UK CA		IP 66
----	----------	--	-------

### Presentation



The pre-equipped enclosure is designed to accommodate the SENA DMX G2 RDM SPLITTER 4CH, offering robust protection and functionality for your lighting control needs. To be considered IP66 the box need to have the cover closed with supplied screws, cable glands tightened, and empty cable glands equipped with plugs. When removing the cable, the nut must be slightly unscrewed and left in place.

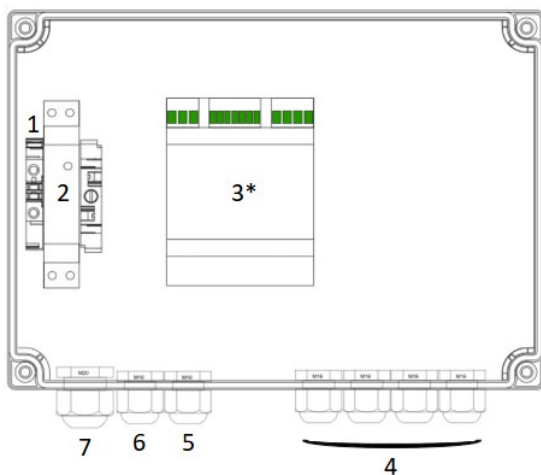
The system needs to be powered up constantly due to the potential risk of the internal clock delay.

Technical datasheets available on [www.thornlighting.com](http://www.thornlighting.com)

#### WARNING:

- DO NOT PERMANENTLY REMOVE THE NUT OR THE RUBBER OF CABLE GLANDS.
- THE PRODUCT MUST BE INSTALLED IN A VERTICAL OR HORIZONTAL POSITION WITH THE COVER / LABEL UPWARDS OR VERTICALLY. OTHER POSITIONS ARE NOT PERMITTED.

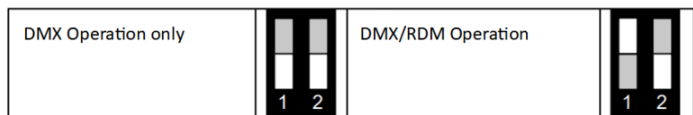
### Product features



*\*to order apart*

Pos.	Description
1	Ground screw terminal
2	SENA DMX G2 POWER SUPPLY (Article number 96222782)
3	* SENA DMX G2 RDM SPLITTER 4CH (Article number 96222781)
4	DMX output(s) cable glands – acceptable cable diameter : 5-10mm
5	DMX THRU output cable gland – acceptable cable diameter : 5-10mm
6	DMX input cable gland – acceptable cable diameter : 5-10mm
7	Mains input cable glands – acceptable cable diameter : 8-13mm

#### SENA DMX G2 RDM SPLITTER 4CH configuration

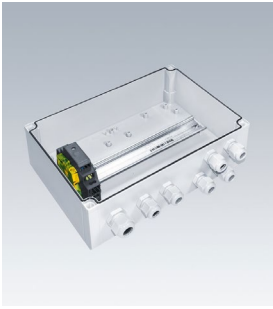


### Technical Data

Parameters	Value
Input Voltage	110 / 230 V AC – 50 / 60 Hz
Input power	< 15 W
Connections	Screw connectors for cable 2,5mm <sup>2</sup> maxi
Dimensions	255 x 205 x 100 mm (with cable glands)
Weight	970g
Operating temperature	-20...+50°C

### Wiring scheme

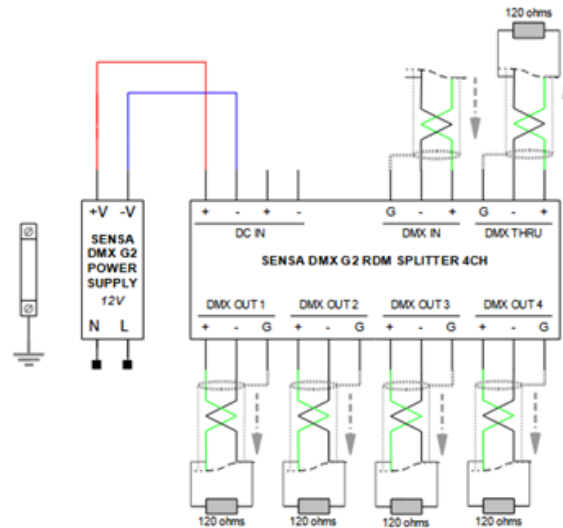
Thorn Lighting is constantly developing and improving its products. The right is reserved to change specifications without prior notification or public announcement. © Thorn Lighting



## SENA DMX G2 RDM SPLITTER 4CH BOX IP66

Pre-installed IP66 BOX for SENA DMX G2 SPLITTER  
Art. No. 96222783

CE	UK CA	□	IP 66
----	----------	---	-------



Example with SENA DMX G2 RDM SPLITTER 4CH (Article number 96222781) that must be rotated to simplify the cabling, (to order apart)

### Warnings

#### Electrical Installation and General Use:

- Ensure that the electrical installation complies with current standards and is carried out by a qualified professional.
- Follow the installation manual instructions carefully.
- The manufacturer cannot be held responsible for damages resulting from non-compliant installation or use.

#### II. General Safety Guidelines and Environmental Use:

- Do not use during a thunderstorm.
- Do not connect your product while it is powered.
- Avoid performing maintenance operations, as this may void the warranty.
- Avoid contact with the equipment in humid conditions.
- Avoid disassembling or modifying the equipment.
- Do not use the equipment if it shows signs of damage.
- Avoid using damaged cables or accessories.
- Avoid transporting, covering, or cleaning the device while it is powered.

#### III. Electrical Installation and Connection:

- Ensure electrical protection is compliant with current standards.
- Read this technical sheet carefully to be informed about all electrical characteristics and use the equipment for its intended application.
- Install the equipment to prevent any risk of physical injury or other damage that may be caused by direct or indirect contact with people or animals.
- Check the supply voltage indicated in the documentation.
- Protect the device from dust, dirt, rain, humidity, and liquids.
- Use non-abrasive cleaning products.
- Shield the device from powerful magnetic fields.
- Place the device in secure environments, avoiding any tripping hazards with cables.
- Adhere to the specified operating temperature indicated in the documentation.